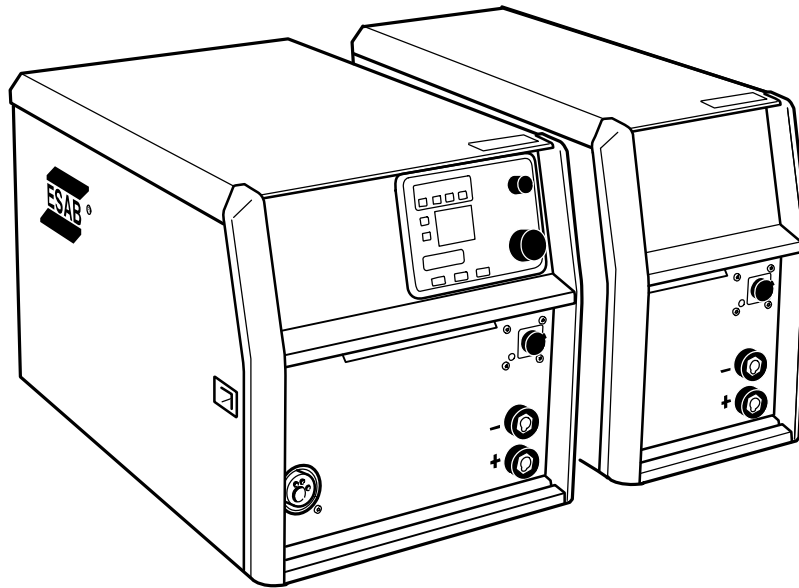


Spare parts list

Edition 120427



Valid for serial no. 535-xxx-xxx, 613-xxx-xxxx, 802-xxx-xxxx, 950-xxx-xxxx, 039-xxx-xxxx, 209-xxx-xxxx

The AristoMig and ESABMig power sources are renamed:

New name	Old name
Mig L3000i	AristoMig 300 / ESABMig 300i
Mig C3000i	AristoMig C300 / ESABMig C300i

Ordering no.	Product
0459 740 880	Mig L3000i
0459 750 882	Aristo™ Mig C3000i, U6
0459 750 880	Origo™ Mig C3000i, MA23
0459 750 881	Origo™ Mig C3000i, MA23A
0458 818 990	Spare parts list for control panel U6
0459 839 003	Spare parts list for control panel MA23A
0459 839 024	Spare parts list for control panels MA23 and MA24

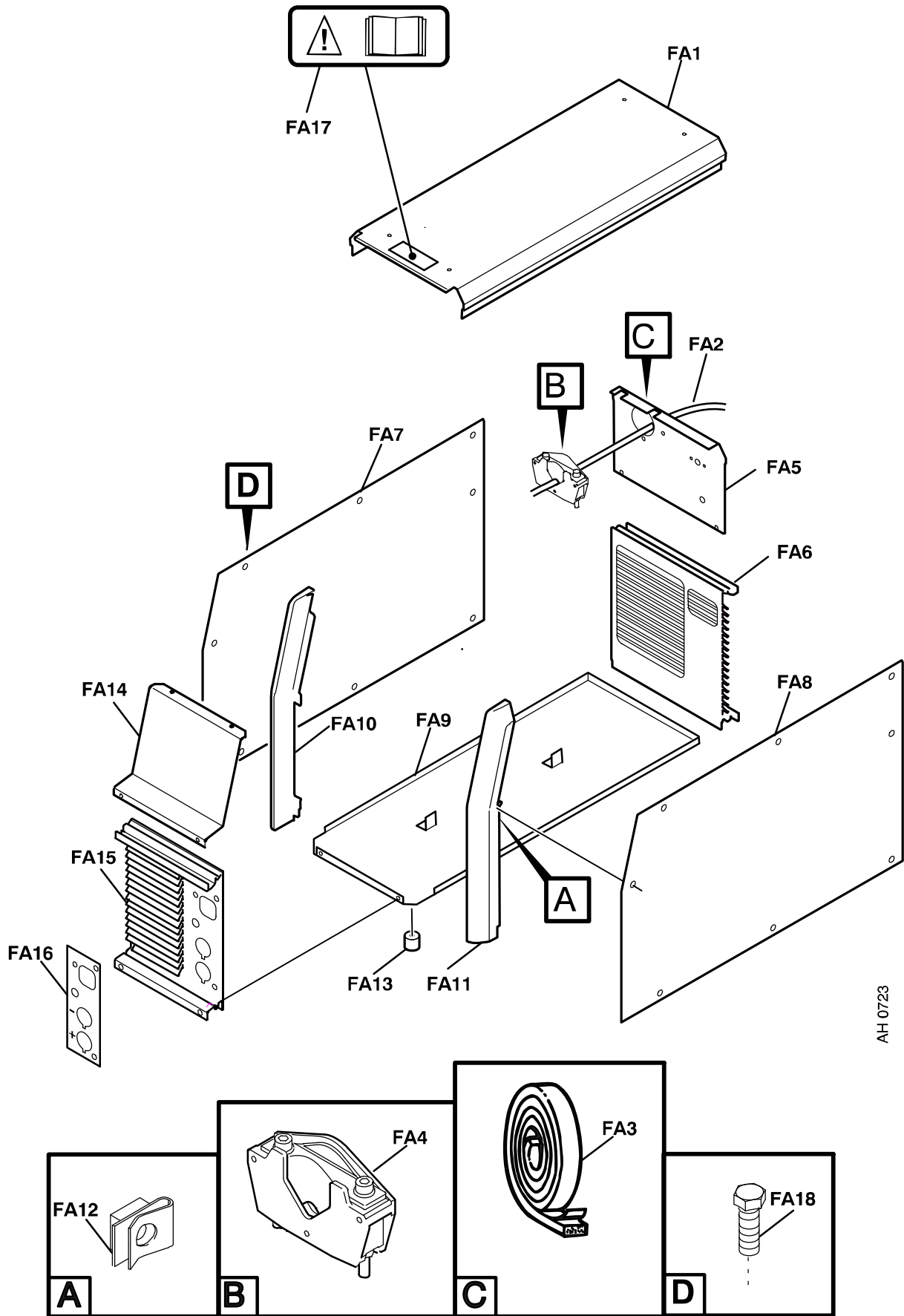
Spare parts are to be ordered through the nearest ESAB agency. Kindly indicate type of unit, serial number, denominations and ordering numbers according to the spare parts list.

Maintenance and repair work should be performed by an experienced person, and electrical work only by a trained electrician. Use only recommended spare parts.

Rights reserved to alter specifications without notice.

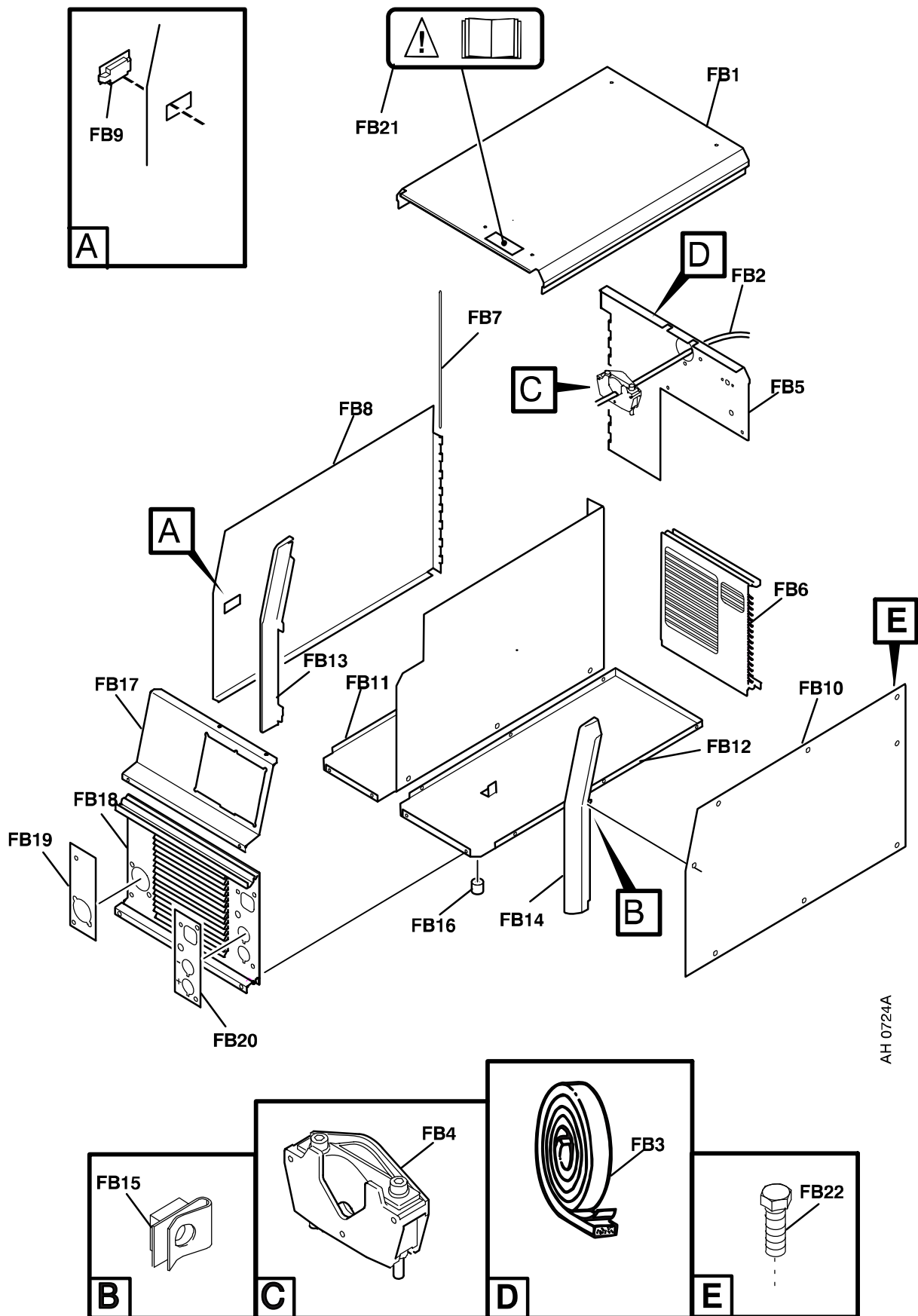
Mig L3000i, AristoMig 300, ESABMig 300i

Item	Qty	Ordering no.	Denomination	Notes
FA1	1	0459 718 001	Cover	
FA2	1	0459 787 880	Mains cable	4x2.5mm ²
FA3	1	0192 526 002	Sealing strip	L=1.3m, to be ordered per meter
FA4	1	0469 950 880	Cable inlet	
	3		Screw RXPT	8-16x12
FA5	1	0459 719 001	Rear plate	
FA6	1	0459 725 003	Profile	Rear
FA7	1	0459 720 002	Side panel	Left
FA8	1	0459 720 001	Side panel	Right
FA9	1	0459 724 001	Bottom plate	
FA10	1	0459 723 001	Front gable	Left
FA11	1	0459 722 001	Front gable	Right
FA12	6	0469 381 002	Fast lock nut	M5
FA13	4	0467 695 001	Rubber foot	
	4		Screw	M6x8
FA14	1	0459 726 003	Front	
FA15	1	0459 725 001	Profile	Front
FA16	1	0459 789 001	Sticker	
FA17	1	0458 950 001	Sign	
FA18		0194 179 327	Screw MRT ground cutter	M5x12



Mig C3000i, AristoMig C300, ESABMig C300i

Item	Qty	Ordering no.	Denomination	Notes
FB1	1	0459 718 002	Cover	
FB2	1	0459 787 880	Mains cable	4x2.5mm ²
FB3	1	0192 526 002	Sealing strip	L=1.7m, to be ordered per meter
FB4	1	0469 950 880	Cable inlet	
	3		Screw RXPT	8-16x12
FB5	1	0459 719 002	Rear plate	
FB6	1	0459 725 003	Profile	Rear
FB7	1	0459 562 003	Cotter	
FB8	1	0459 753 001	Side panel	Left
FB9	1	0459 883 001	Snap-in lock	
FB10	1	0459 720 001	Side panel	Right
FB11	1	0459 754 001	Middle / bottom plate	
FB12	1	0459 724 001	Bottom plate	
FB13	1	0459 723 001	Front gable	Left
FB14	1	0459 722 001	Front gable	Right
FB15	5	0469 381 002	Fast lock nut	M5
FB16	4	0467 695 001	Rubber foot	
	4		Screw	M6x8
FB17	1	0459 726 002	Front	
FB18	1	0459 725 002	Profile	Front
FB19	1	0459 789 003	Sticker	
FB20	1	0459 789 001	Sticker	
FB21	1	0458 950 001	Sign	
FB22		0194 179 327	Screw MRT ground cutter	M5x12



Mig L3000i, Mig C3000i,

AristoMig 300, ESABMig 300i, AristoMig C300, ESABMig C300i

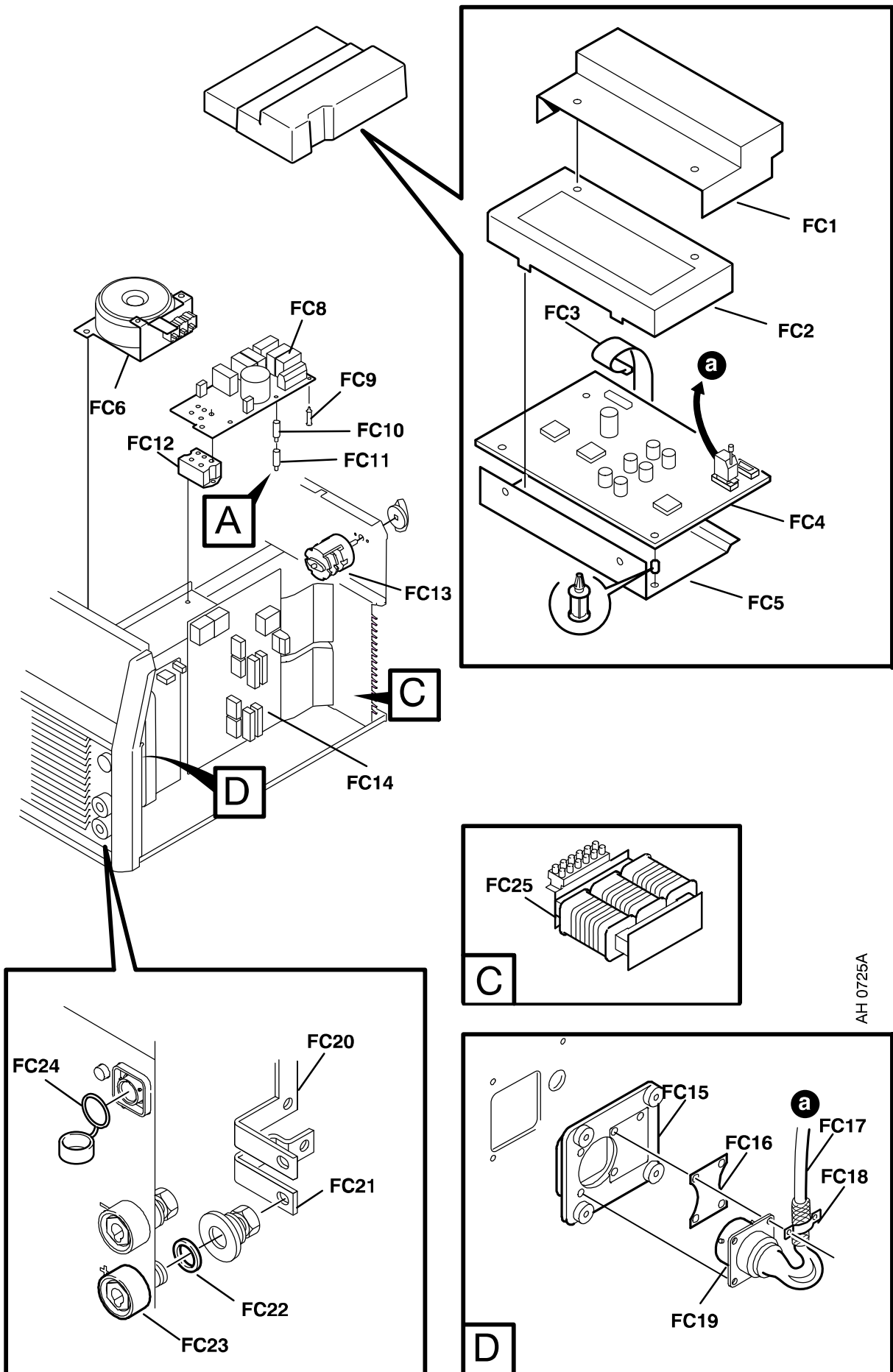
C = component designation in the circuit diagram

Item	Qty	Ordering no.	Denomination	Notes	C
FC1	1	0458 881 002	Protection cap		
FC2	1	0458 312 001	Screen box top		
FC3	1	0193 700 705	Ribbon cable with connectors		13XP4, 13XP5
FC4	1	0487 201 994	Circuit board	Configured for Mig C3000i & Mig L3000i (Replaces 0487 201 881)	20AP1
FC5	1	0459 791 001	Screen box bottom		
FC6	1	0459 733 001	Control transformer		2TC1
-	4		Screw	M5x10	
-	1	-	Fuse	0.5 A slow	2FU1
-	1	-	Fuse	4 A slow	2FU3
-	1	-	Fuse	3.15 A slow	2FU2
-	1	-	Fuse	5 A slow	2FU4
FC8	1	0487 622 880	Circuit board	EMC (replaces 0487 340 880)	2AP1
FC9	1		Spacer	22.5R	
FC10	2		Distance screw	M4x12	
FC11	2		Spacer self tapping		
FC12	1		Rectifier bridge	Included in item FC51	2BR1
FC13	1	0455 158 001	Main switch with knob		2QF1
FC14			Power module	See page 8	
FC15	1	0457 800 001	Insulation		
FC16	1	0457 799 001	Screen plate		
FC17	1	0458 681 883	Cable with connector		20XP2
FC18	1	0456 686 880	Clamp		
FC19	1	0368 544 003	Socket	12 pole	XS3
FC20	1	0459 747 001	Bar	Negative	
FC21	1	0459 747 002	Bar	Positive	
FC22	2	0466 325 001	Gasket		
FC23	2	0160 362 881	Cable connector	OKC, socket	XS1, XS2
FC24	1	0366 285 001	Protection cap	12 pole	
FC25	1	0460 119 002	Primary inductor	18 A	3L1

SPARE PARTS SETS

Item	Ordering no.	Denomination	Notes
FC51	0458 920 881	Rectifier set	Includes item FC12 rectifier bridge, thermal compound, roller and mounting instruction.
	0458 910 002	Roller handle	For the roller in the spare parts set above.

Mig L3000i, Mig C3000i,
AristoMig 300, ESABMig 300i, AristoMig C300, ESABMig C300i



AH 0725A

Mig L3000i, Mig C3000i,

AristoMig 300, ESABMig 300i, AristoMig C300, ESABMig C300i

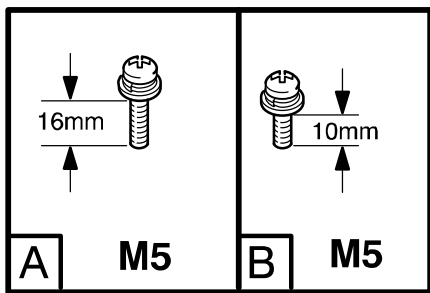
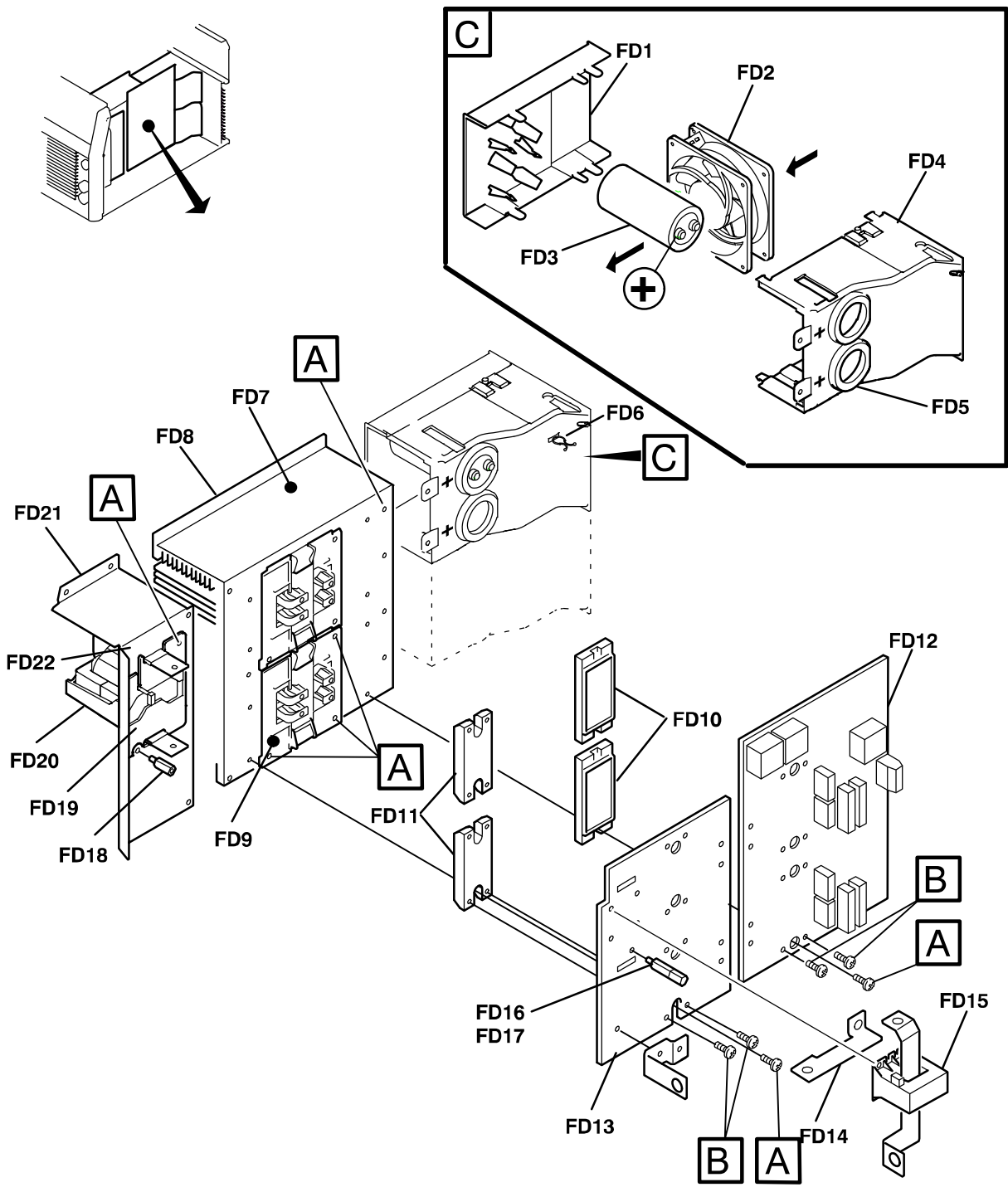
C = component designation in the circuit diagram

Item	Qty	Ordering no.	Denomination	Notes	C
			Power module	Complete item FD1 - FD22	
FD1	2	0459 744 001	Air guide rear		
FD2	2	0467 801 002	Fan with calbe		15EV1,15EV2
FD3	2	0194 158 002	Smoothing capacitor		15C1, 15C2
FD4	2	0459 743 001	Air guide front		
FD5	2		Blind plug		
FD6	2		Cable saddle assembly		
FD7	1	0459 728 001	Heat sink		
FD8	1	0192 526 002	Sealing strip	0.525m, to be ordered per meter	
FD9	2	0459 736 880	Transformer		15TM1, 15TM2
FD10	2		Primary module	Included in item FD50	IC3, IC8
FD11	2		Diode module	Included in item FD51	15D1, 15D2
FD12	1		Circuit board	Power board, Included in item FD50	15AP1
FD13	1	0487 692 880	Circuit board	Secondary board (replaces 0487 325 880)	15AP2
FD14	1	0459 794 001	Bar middle		
FD15	1	0458 063 001	Current sensor		15AP3
FD16	1		Distance screw	M5x20	
FD17	1		Spacer screw	M5x12	
FD18	1		Spacer screw	M5x15	
FD19	2		Sealing		
FD20	1	0459 751 880	Inductor secondary		15L3
FD21	1	0459 746 001	Bracket heatsink		
FD22	1	0191 193 121	Tape	L=0.50m, to be ordered per metre	

SPARE PARTS SETS

Item	Ordering no.	Denomination	Notes
FD50	0459 384 882	Power board set	Includes item FD10, FD12, screws, thermal compound and roller
FD51	0459 385 882	Diode module set	Includes item FD11, screws, thermal compound and roller.
	0458 910 002	Roller handle	For the roller in the spare parts set above.

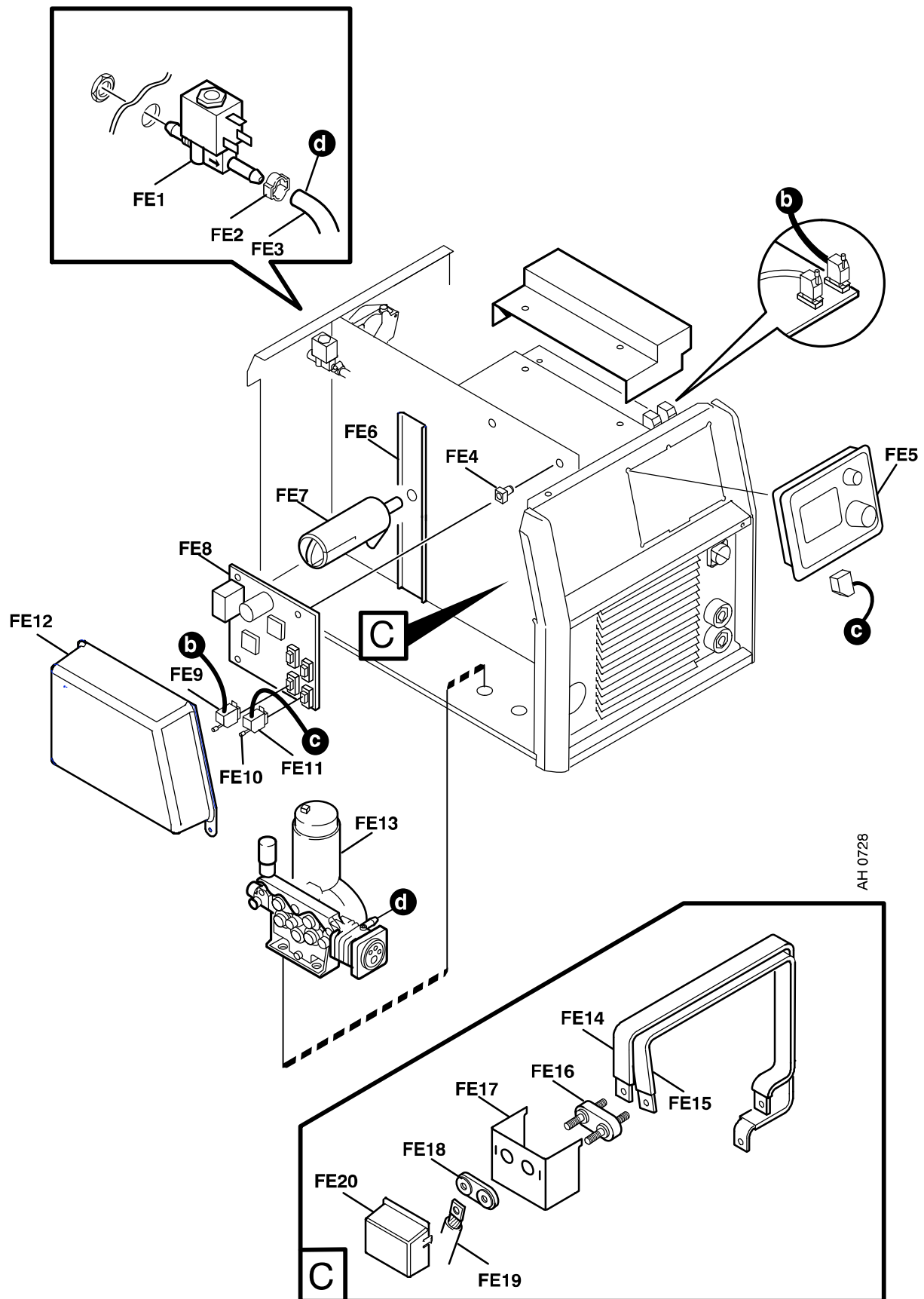
Mig L3000i, Mig C3000i,
AristoMig 300, ESABMig 300i, AristoMig C300, ESABMig C300i



AH 0726

C = component designation in the circuit diagram

Item	Qty	Ordering no.	Denomination	Notes	C
FE1	1	0193 054 007	Solenoid valve	With quick connection	13YV1
FE2	1	0368 978 008	Hose clamp	Ø 11.3/10.8	
FE3	1	0456 496 001	Hose, red	L=0.84m, to be ordered per meter	
FE4	4		Spacer	Ø 6.4	
FE5	1	0458 535 890	MMC module	U6, For inform. see separate spare parts list	
	1	0459 773 880	MMC module	Panel MA23. For inform. see separate spare parts list	
	1	0459 773 881	MMC module	Panel MA23A. For inform. see separate spare parts list	
	1	0459 773 886	MMC module	Panel MA24. For inform. see separate spare parts list	
FE6	1	0459 776 001	Stiffening plate		
FE7	1	0146 967 881	Brake hub		
FE8	1	0487 359 880	Circuit board	Wire feeder	13AP1
FE9	1	0458 357 882	Cable		20XP1, 20XP3
FE10	4	0193 052 980	Stud screw	D-sub	
FE11	1	0458 681 892	Cable		13XP4, 13XP5
FE12	1	0459 777 001	Tightening box		
FE13	1		Wire feed mechanism	Type MEM 30, see page 12.	
FE14	1	0459 816 001	Bar flexible	Positive	
FE15	1	0459 815 001	Bar flexible	Negative	
FE16	1	0469 377 880	Plate	Connection block	
FE17	1	0459 764 001	Terminal holder		
FE18	1	0469 378 001	Insulation		
FE19	1	0455 623 885	Cable set		
FE20	1	0456 185 002	Cover		



AH 0728

C = component designation in the circuit diagram

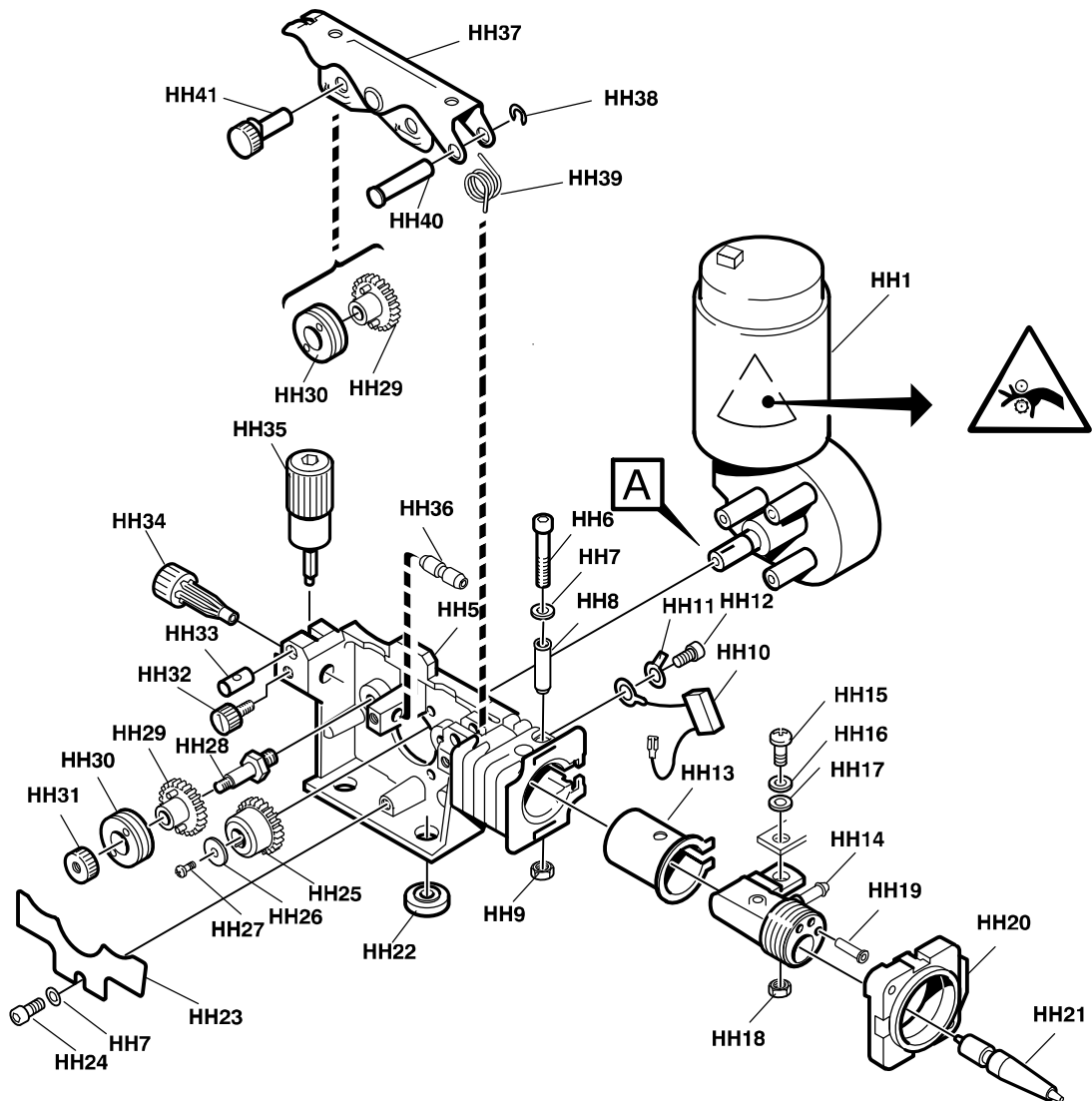
(W) = wear part (V) = V-groove

Item	Qty	Ordering no.	Denomination	Notes	C
		0459 000 892	Wire feed mechanism	Includes items HH1 - HH21 and HH23 - HH41 Type MEM 30	
HH1	1	0459 808 001	Drive unit	With pulse transducer	13M1
HH2	1	0332 351 012	Shaft (with pinion)	Included in item HH1	
HH3	1	0191 496 114	Key	Included in item HH1	
HH4	1	0215 701 007	Locking washer	Included in item HH1	
HH5	1	0455 046 003	Gear housing		
HH6	1		Screw	M6x40	
HH7	2		Washer	Ø 12/6.4x1.5	
HH8	1	0455 048 001	Insulating tube		
HH9	1		Nut	M6	
HH10	1	0457 817 883	Capacitor	2.2 µF with cable lugs	13C5
HH11	1		Flat pin	6.3x0.8 M6	
HH12	4		Screw	M6x12	
HH13	1	0455 045 001	Insulating sleeve		
HH14	1	0455 044 001	Current connection		
HH15	1		Screw	M8x25	
HH16	1		Washer	Ø 16/8.4x1.5	
HH17	1		Belleville washer	Ø 16/8.2x0.9	
HH18	1		Nut	M6	
HH19	1	0458 710 890	Cable set	Includes sleeves and insulating sleeves.	
HH20	1	0455 047 001	Front flange		
HH21	1	0469 837 880	Outlet nozzle (W)	Ø 2mm for 0.6-1.6mm Fe, Ss and cored wire	
HH22	4	0153 043 002	Insulating washer		
HH23	1	0469 838 001	Cover		
HH24	3		Screw	M6x12	
HH25	1	0459 440 001	Drive gear (W)		
HH26	1		Washer	Ø 16/5x1	
HH27	1		Screw	M4x12	
HH28	2		Axle feed roll	See item HH102	
HH29	4	0459 441 880	Gear adapter (W)		
HH30	4	0459 052 002	Feed/pressure roller (W)	(V) For Ø 0.8 & 0.9/1.0mm Fe, Ss, Al and cored wire	
HH31	2		Locking nut	See item HH102	
HH32	3	0458 689 001	Screw for nozzle		
HH33	1		Pin bolt	See item HH101	
HH34	1	0455 049 001	Inlet nozzle (W)	Ø 3mm for 0.6-1.6mm Fe, Ss, Al and cored wire	
HH35	1		Pressure device	See item HH101	
HH36	1	0455 072 002	Intermediate nozzle (W)	For Fe, Ss and cored wire	
HH37	1		Pressure arm	See item HH100	
HH38	1		Locking washer	See item HH100	
HH39	1		Torsion spring	See item HH100	
HH40	1		Shaft	See item HH100	
HH41	2	0458 999 001	Shaft		

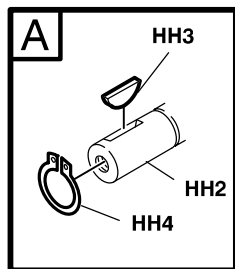
For more wear parts see page 14.

SPARE PARTS SETS

Item	Ordering no.	Denomination	Notes
HH100	0459 227 880	Pressure arm set	Includes items HH37, HH38, HH39 and HH40
HH101	0459 228 880	Pressure device set	Includes items HH33, HH35 and one screw M3x12.
HH102	0458 722 880	Axle and nut	Includes items HH28 and HH31.



AH 0710



Wear parts

S= Standard, HD = Heavy Duty

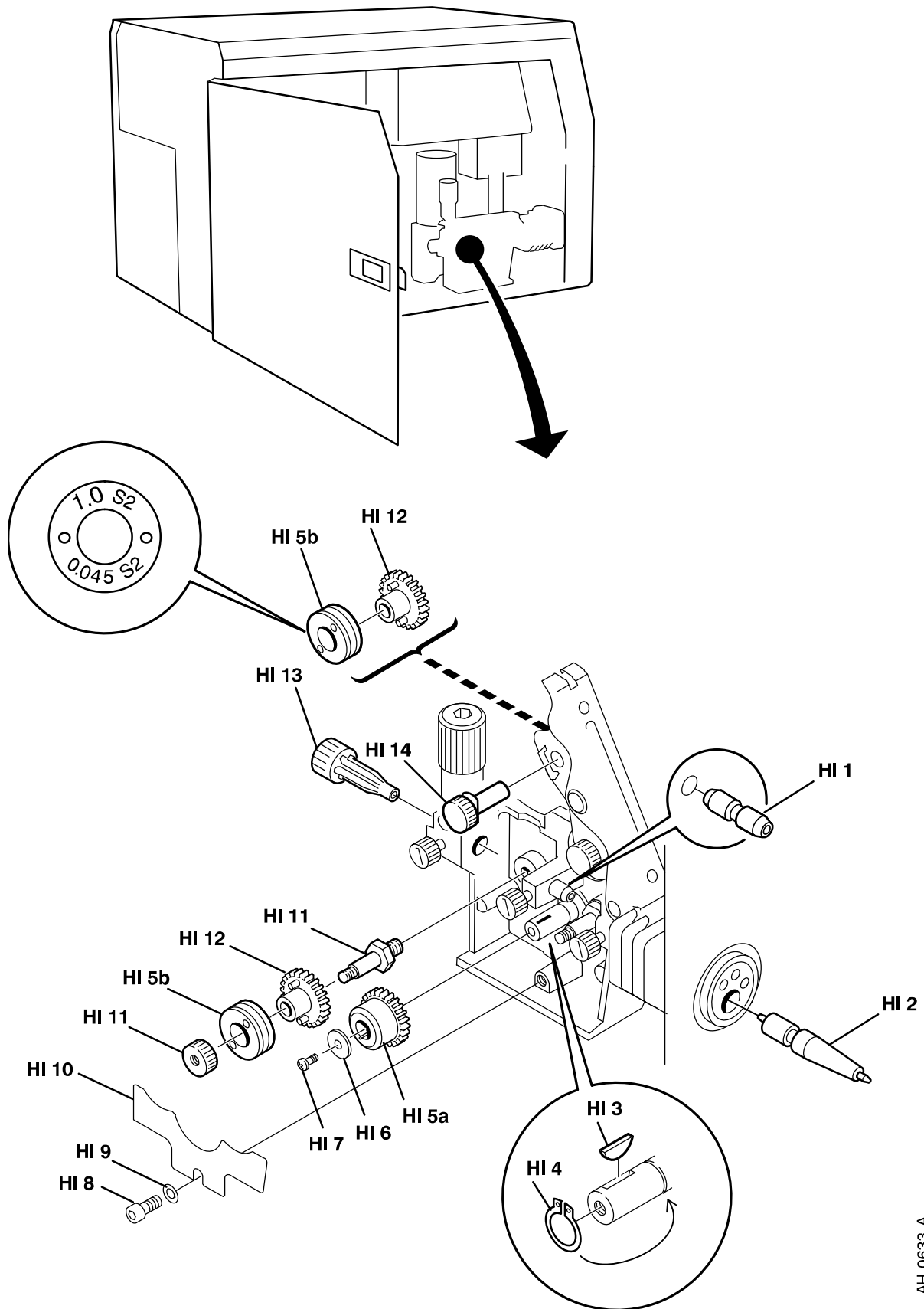
Item	Ordering no.	Denomination	Wire type	Wire dimensions
HI 1	0455 072 002 0456 615 001	Intermediate nozzle (S) Intermediatenozzle	Fe, Ss & cored Al	Ø 2.0 mm steel for 0.6-1.2 mm Ø 2.0 mm plastic for 0.8-1.2 mm
HI 2	0469 837 880 0469 837 881	Outlet nozzle (S) Outlet nozzle	Fe, Ss & cored Al	
HI 3	0191 496 114	Key		
HI 4	0215 701 007	Locking washer		
HI 5a	0459 440 001	Motor gear euro		

Item	Ordering no.	Denomination	Wire type	Wire dimensions	Groove typ	Roller markings
HI 5b	0459 052 001	Feed/pressure rollers	Fe, Ss & cored	Ø 0.6 & 0.8 mm	V	0.6 S2 & 0.8 S2
	0459 052 002	Feed/pressure rollers	Fe, Ss & cored	Ø 0.8 & 0.9/1.0 mm	V	0.8 S2 & 0.9/1.0 S2
	0459 052 003	Feed/pressure rollers	Fe, Ss & cored	Ø 0.9/1.0 & 1.2 mm	V	0.9/1.0 S2 & 1.2 S2
	0458 825 001	Feed/pressure rollers	Cored	Ø 0.9/1.0 & 1.2 mm	V-Knurled	1.0 R2 & 1.2 R2
	0458 824 001	Feed/pressure rollers	Al	Ø 0.8 & 0.9/1.0 mm	U	0.8 A2 & 1.0 A2
	0458 824 002	Feed/pressure rollers	Al	Ø 1.0 & 1.2 mm	U	1.0 A2 & 1.2 A2
	0458 824 003	Feed/pressure rollers	Al	Ø 1.2 mm	U	1.2 A2
Use only pressure and feed rollers marked A2 , R2 or S2 . The rollers are marked with wire dimension in mm, some are also marked with inch.						

Item	Ordering no.	Denomination	Notes
HI 6		Washer	Ø 16/5x1
HI 7		Screw	M4x12
HI 8		Screw	M6x12
HI 9		Washer	Ø 16/8.4x1.5
HI 10	0469 838 001	Cover	
HI 11	0458 722 880	Axle and Nut	
HI 12	0459 441 880	Gear adapter	
HI 13	0455 049 001	Inlet nozzle	
HI 14	0458 999 001	Shaft	

Welding with aluminium wire

In order to weld with aluminium wire, proper rollers, nozzles and liners for aluminium wire **MUST** be used, It is recommended to use 3 m long welding gun for aluminium wire, equipped with appropriate wear parts.



AH 0633 A

Mig L3000i, Mig C3000i,

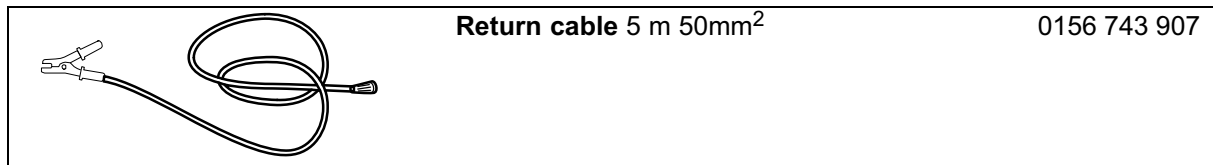
AristoMig 300, ESABMig 300i, AristoMig C300, ESABMig C300i

Accessories

	<p>Cooling unit CoolMidi 1800i 0459 840 880</p>
	<p>Remote control adapter RA12 12 pole 0459 491 910 For analogue remote controls to CAN based equipment.</p>
	<p>Remote control unit MTA1 CAN 0459 491 880 MIG/MAG: wire feed speed and voltage MMA: current and arc force TIG: current, pulse and background current</p>
	<p>Remote control unit M1 10Prog CAN 0459 491 882 Choice of on of 10 programs MIG/MAG: voltage deviation TIG and MMA: current deviation</p>
	<p>Remote control unit AT1 CAN 0459 491 883 MMA and TIG: current</p>
	<p>Remote control unit AT1 CF CAN 0459 491 884 MMA and TIG: rough and fine setting of current.</p>
	<p>Remote control cable 12 pole - 4 pole</p> <p>5 m 0459 554 880 10 m 0459 554 881 15 m 0459 554 882 25 m 0459 554 883 0.25 m 0459 554 884</p>

Mig L3000i, Mig C3000i,

AristoMig 300, ESABMig 300i, AristoMig C300, ESABMig C300i



Return cable 5 m 50mm²

0156 743 907



Welding torch

Type	Ordering no.		Max welding current		Wire dimensions
	Hose length		Shielding gas		
	3 m	4.5 m	CO ₂	Mix Ar	
PSF 250	0368 100 882	0368 100 883	250A 60%	225A 60%	0.6 - 1.0
PSF 250 C	0468 410 882	0468 410 883	250A 60%	225A 60%	0.6 - 1.0
PSF 305	0458 401 880	0458 401 881	315A 60%	285A 60%	0.8 - 1.2
PSF 315 CLD	0468 410 885	0468 410 886	315A 60%	285A 60%	0.8 - 1.2
PSF 405	0458 401 882	0458 401 883	380A 60%	325A 60%	0.8 - 1.6
PSF 405 C	0458 499 882	0458 499 883	380A 60%	325A 60%	1.0 - 1.6
PSF 405 RS3	0458 401 892	0458 401 893	380A 60%	325A 60%	0.8 - 1.6
PSF 405 C RS3	-	0458 499 889	380A 60%	325A 60%	1.0 - 1.6
PSF 410 CW	0458 450 880	0458 450 881	380A 100%	325A 100%	0.8 - 1.6
PSF 410 W	0458 400 882	0458 400 883	400A 100%	350A 100%	0.8 - 1.6
PSF 410 CW RS3	0458 450 884	0458 450 885	380A 100%	325A 100%	0.8 - 1.6
PSF 410 W RS3	0458 400 898	0458 400 899	400A 100%	350A 100%	0.8 - 1.6

- C** = Self cooled
- C** = Smoke exhausters, Centrovac
- LD** = Smaller, Light duty
- W** = Water cooled
- RS3** = 3-step program switch for selecting preset programs.

